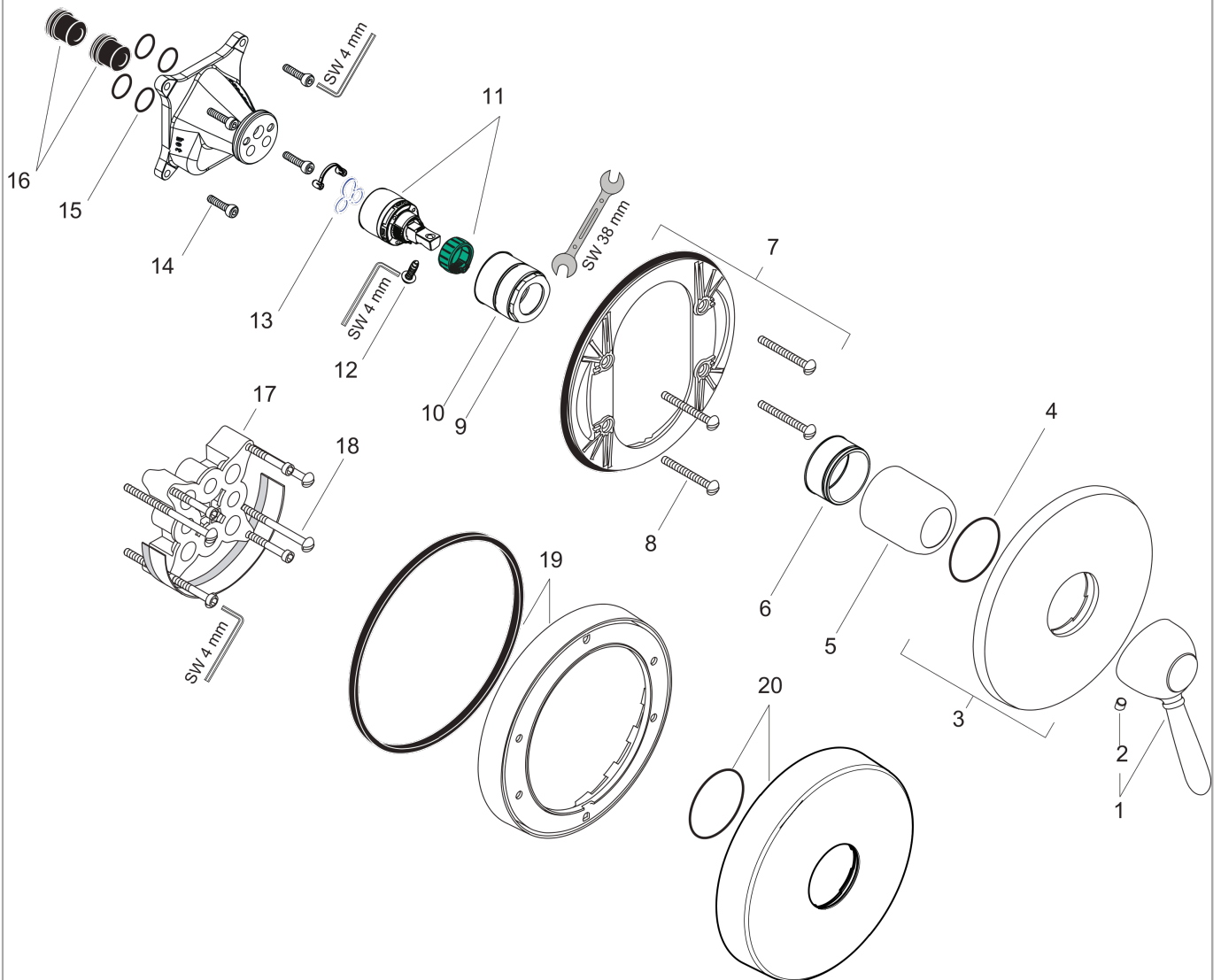


AXOR Carlton
Single lever shower mixer for concealed installation
Surfaces: **Chrome/Gold Optic** Article Number: **17615090**



Exploded Drawing

Year of production: **03/12 - 01/19**



AXOR Carlton
Single lever shower mixer for concealed installation
 Surfaces: **Chrome/Gold Optic** Article Number: **17615090**



Spare part list

Year of production: **03/12 - 01/19**

Pos.	Description	Article Number	PC	PU
1	handle	17092090	16	1
2	screw cover	96338000	1	1
3	escutcheon Ø 170 mm	96452000	11	1
4	O-Ring 48x3	95508000	1	1
5	flange	95010000	8	1
6	O-ring 43x1,5	98148000	1	1
7	sub plate	96447000	10	1
8	set of fixing screws	96454000	3	1
9	nut	98796000	9	1
10	cartridge, assy	92730000	11	1
11	locking screw for handle	95140000	2	1
12	seal	95008000	3	1
13	set of screws	96525000	3	1
14	O-ring 16x2	98133000	1	1
15	noise reduction	94073000	7	1
16	extension 25 mm	13595000	98	1
17	set of fixing screws	97747000	1	1
18	extension 22 mm (Ø 170 mm)	13596000	98	1
a	concealed item	01800180	98	1